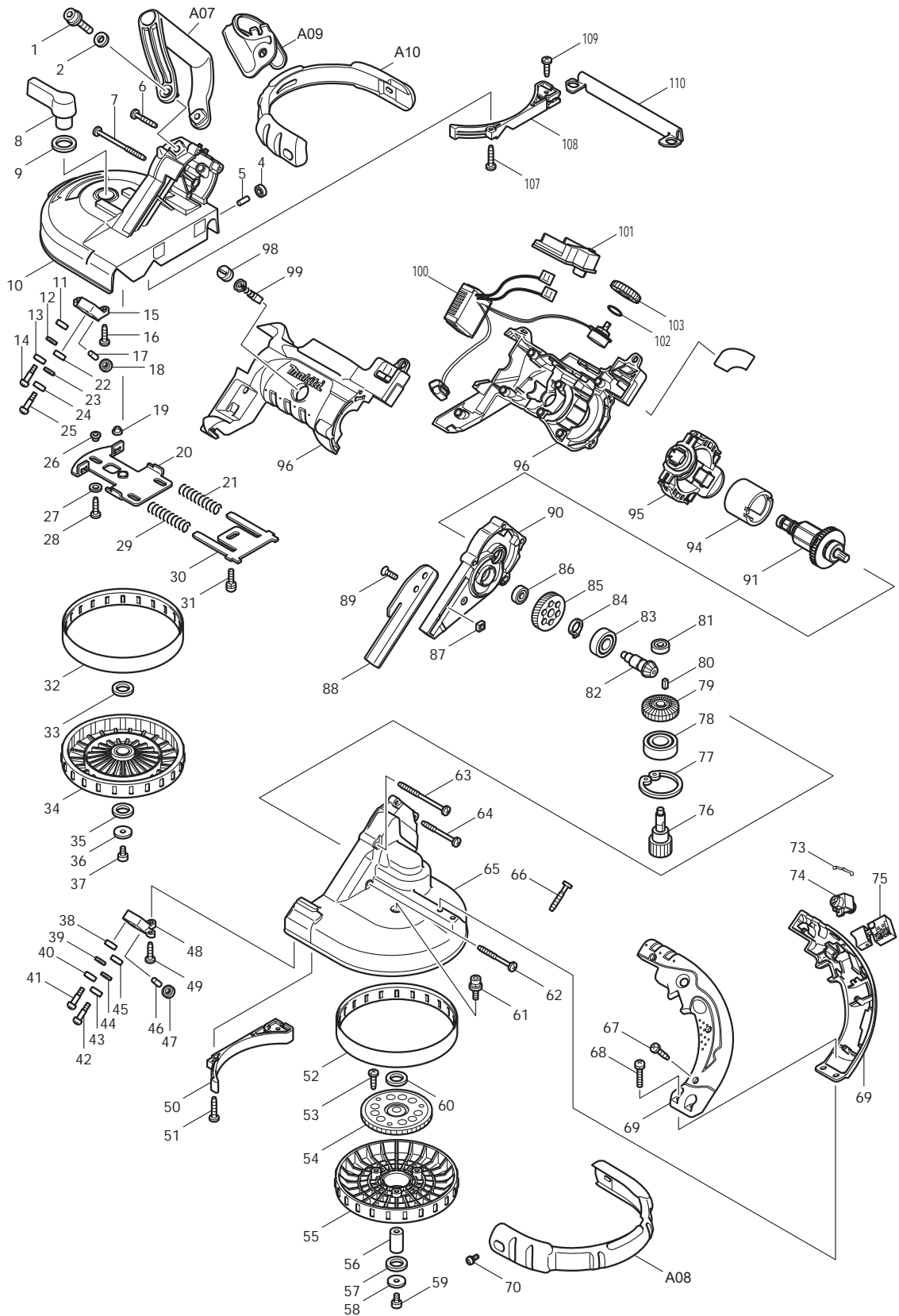




03 -2014  
DPB180F, DPB180RFE, DPB180Z  
18V PORTABLE BAND SAW



Item No	Type	Sub	Part No	Description	Qty	Unit
001	2		922458-2	* HSH BOLT M8X35 W/WR	2	PC.
004	2		143517-1	* BLADE GUIDE COMPLETE	1	PC.
005	2		268225-4	* PIN 5	1	PC.
006			265999-8	TAPPING SCREW 4X25	2	PC.
007			266147-2	TAPPING SCREW 4X55	2	PC.
008			272223-2	LEVER 60	1	PC.
009			267041-1	FLAT WASHER 20	1	PC.
010			158703-1	FRONT WHEEL COVER COMPLETE	1	PC.
		INC.	816212-3	INDICATIONAL LABEL	1	PC.
011	2		210187-2	BALL BEARING 696ZZ	1	PC.
012			941152-7	FLAT WASHER 6	1	PC.
013	2		210187-2	BALL BEARING 696ZZ	1	PC.
014			251337-0	+ PAN HEAD SCREW M5	1	PC.
015			317824-0	UPPER HOLDER	1	PC.
016			266034-5	TAPPING SCREW CT 4X16	2	PC.
017			256033-5	PIN 6	1	PC.
018	2		210187-2	BALL BEARING 696ZZ	1	PC.
019			343494-9	SLEEVE 5	1	PC.
020			163276-1	SLIDE PLATE	1	PC.
021			231449-5	COMPRESSION SPRING 11	1	PC.
022	2		210187-2	BALL BEARING 696ZZ	1	PC.
023			941152-7	FLAT WASHER 6	1	PC.
024	2		210187-2	BALL BEARING 696ZZ	1	PC.
025			251337-0	+ PAN HEAD SCREW M5	1	PC.
026			343494-9	SLEEVE 5	3	PC.
027			941051-3	FLAT WASHER 4	3	PC.
028			266034-5	TAPPING SCREW CT 4X16	3	PC.
029			231449-5	COMPRESSION SPRING 11	1	PC.
030			343489-2	TENSION PLATE	1	PC.
031			911221-8	PAN HEAD SCREW M5X16	1	PC.
032			421333-4	RUBBER TIRE	1	PC.
033			253749-3	FLAT WASHER 16	1	PC.
034	2		140B58-0	WHEEL COMPLETE	1	PC.
035			253749-3	FLAT WASHER 16	1	PC.
036			253010-8	FLAT WASHER 6	1	PC.
037			922312-0	HEX. SOCKET HEAD BOLT M6X12	1	PC.
038	2		210187-2	BALL BEARING 696ZZ	1	PC.
039			941152-7	FLAT WASHER 6	1	PC.
040	2		210187-2	BALL BEARING 696ZZ	1	PC.
041			251337-0	+ PAN HEAD SCREW M5	1	PC.
042			251337-0	+ PAN HEAD SCREW M5	1	PC.
043	2		210187-2	BALL BEARING 696ZZ	1	PC.
044			941152-7	FLAT WASHER 6	1	PC.
045	2		210187-2	BALL BEARING 696ZZ	1	PC.
046			256033-5	PIN 6	1	PC.
047	2		210187-2	BALL BEARING 696ZZ	1	PC.
048			317823-2	LOWER HOLDER	1	PC.
049			266034-5	TAPPING SCREW CT 4X16	2	PC.
050			418784-0	SAW GUARD HOLDER	1	PC.
051			266042-6	TAPPING SCREW BIND CT 4X20	2	PC.
052			421333-4	RUBBER TIRE	1	PC.
053			266021-4	TAPPING SCREW 5X20	3	PC.
054			154949-7	GEAR COMPLETE	1	PC.

Item No	Type	Sub	Part No	Description	Qty	Unit
055			419506-1	WHEEL	1	PC.
056			324513-0	LOWER SHAFT	1	PC.
057			253749-3	FLAT WASHER 16	1	PC.
058			253010-8	FLAT WASHER 6	1	PC.
059			922312-0	HEX. SOCKET HEAD BOLT M6X12	1	PC.
060			253749-3	FLAT WASHER 16	1	PC.
061			922323-5	HEX.SOCKET HEAD BOLT M6X16	1	PC.
062			266203-8	TAPPING SCREW BIND CT 4X40	1	PC.
063			266147-2	TAPPING SCREW 4X55	2	PC.
064			266048-4	TAPPING SCREW 4X40	2	PC.
065			317947-4	REAR WHEEL COVER	1	PC.
066			265995-6	TAPPING SCREW 4X18	8	PC.
067			265995-6	TAPPING SCREW 4X18	2	PC.
068			911243-8	PAN HEAD SCREW M5X25	2	PC.
069			188108-1	HANDLE SET	1	SET
070			911213-7	PAN HEAD SCREW M5X12	4	PC.
071			168412-4	REAR BUMPER	1	PC.
073			232201-4	LEAF SPRING	1	PC.
074			419504-5	LOCK OFF BUTTON	1	PC.
075			650229-4	SWITCH SGE120C-3	1	PC.
076			227170-2	SPUR GEAR 12	1	PC.
077			962203-3	RETAINING RING R-47	1	PC.
078			211306-3	BALL BEARING 6204LLB	1	PC.
079			227470-0	SPIRAL BEVEL GEAR 29	1	PC.
080			254202-2	KEY 4	1	PC.
081			210029-0	BALL BEARING 608ZZ	1	PC.
082			227481-5	SPIRAL BEVEL GEAR 11	1	PC.
083	2		211487-3	BALL BEARING 6202DDW	1	PC.
084			961055-9	RETAINING RING S-15	1	PC.
085			226626-2	HELICAL GEAR 45	1	PC.
086			210029-0	BALL BEARING 608ZZ	1	PC.
087			252157-5	SQUARE NUT M6	2	PC.
088			345467-8	STOPPER PLATE	1	PC.
089			251981-3	HEX. SOCKET HEAD BOLT M6X16	2	PC.
090			154475-6	GEAR HOUSING COMPLETE	1	PC.
091			619187-3	ARMATURE	1	PC.
094			638420-4	YOKE UNIT	1	PC.
095			638919-9	ENDBELL COMPLETE	1	PC.
096			187801-4	HOUSING SET	1	SET
098			643929-3	BRUSH HOLDER CAP	2	PC.
099			195018-5	CARBON BRUSH CB-430, 2PCS/SET, W/ ORIGIN	1	SET
100			632B83-0	CONTROLLER UNIT	1	PC.
101			644808-8	TERMINAL	1	PC.
102			213261-5	O RING 17	1	PC.
103			419505-3	DIAL	1	PC.
104			815T13-6	NAME PLATE F/DPB180	1	PC.
105			345614-1	HOOK	1	PC.
106			168413-2	FRONT BUMPER	1	PC.
107			266042-6	TAPPING SCREW BIND CT 4X20	2	PC.
108			418784-0	SAW GUARD HOLDER	1	PC.
109			266034-5	TAPPING SCREW CT 4X16	1	PC.
110			346669-9	SAW GUARD	1	PC.
200			652008-6	PAN HEAD SCREW M3.5X7	2	PC.

Item No	Type	Sub	Part No	Description	Qty	Unit
201			654037-5	INSULATED TERM. FT1.25-M3	1	PC.
202			654077-3	INSULATED TERMINAL FK2-M3D-5.5	1	PC.
203			654510-5	INSULATED CONNECTOR 5.5-SD	1	PC.
C01A	2		878423-8	CARTON F/DPB180Z	1	PC.

**ACCESSORIES** - See Catalogue or visit [www.makita.ca](http://www.makita.ca) for more accessories -

A01		---		BATTERY CHARGER		
A02		---		18V LI-ION BATTERY		
A03		---		BAND SAW BLADE		
A04			783202-0	HEX. WRENCH 4	1	PC.
A05			141496-7	PLASTIC CARRYING CASE	1	PC.
		INC.	163467-4	LATCH	2	PC.
A06		---		LI-ION BATTERY ACCESSORIES		
A07			273525-9	FRONT HANDLE	1	PC.
A11			194026-3	BAND SAW STAND (See #194026-3 Parts breakdown)	1	PC.
A12			191897-9	BAND SAW BLADE CUTTING WAX	1	PC.

**SERVICE CHANGES**

**1. Changes on Ball Bearing and Pin 6**

(TI#A8963)

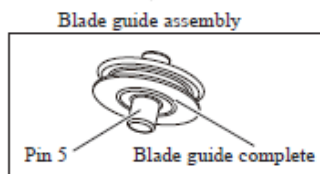
Item No	Description	Type 1	Type 2
4	BALL BEARING 696ZZ >BLADE GUIDE COMPLETE	210033-9	143517-1
5	PIN 6 > PIN 5	256033-5	268225-4

Above parts are completely interchangeable as a set.

**Type 1**



**Type 2**



**2. Changes on Hex Socket Head Bolt, Elimination of Flat Washer 8**

(T/I#DG632)

Item No	Description	Type 1	Type 2
1	HEX SOCKET HEAD BOLT M8X35	922456-6	922458-2
2	FLAT WASHER	941202-8	-----

Above parts are completely interchangeable as a set.